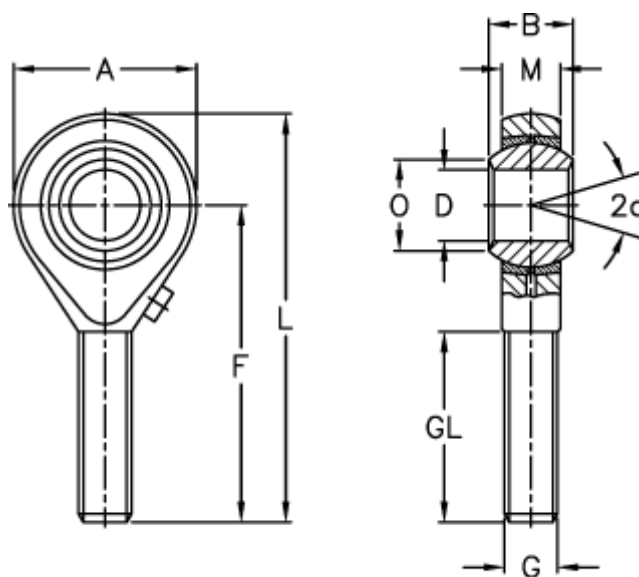


Article number: 03202022

Description: Fluro Rod End GAL 22
Zinc Plated with left-handed thread

Measures



Str. 5 uden smørenippel

A	= 54	L	= 111
a (degrees)	= 15	M	= 20
B	= 28	O	= 25.8
D	= 22	Permissible rpm	= 250
Dynamic load C (kN)	= 29	Static load C0 (kN)	= 57
F	= 84	Weight (g)	= 443
g	= M22x1,5		
GL	= 51		